

# FK215-9C

**Boutique Manufacturing  
Conquer the word with Quality**



## FK215-9C

Total Weight: 30000 kg

Standard bucket capacity: 1.08 m<sup>3</sup>

Rated power: 140/2200 kW/rpm

- Perfect match with Yuchai engine
- Full power reserve and low fuel consumption
- Low operating and maintenance costs
- Nanny-style service extended warranty

## ► Technical specifications

### Basic parameters

Total Weight	30000 kg
Standard bucket capacity	1.08 m <sup>3</sup>

### Performance parameter

Engine	Yuchai
Engine rated power	140/2200 kW/rpm
Gradeability	35 °
Maximum digging force of stick	98.6 kN
Bucket excavation	141 kN
Driving speed	3.0/5.0 km/h
Platform rotation speed	13-15 rpm

### Job parameters

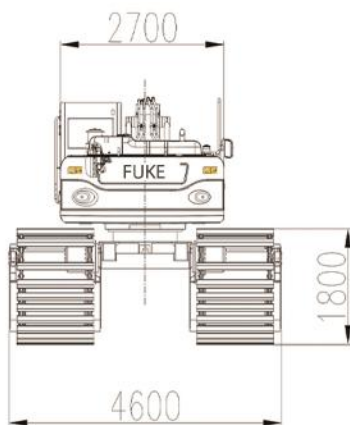
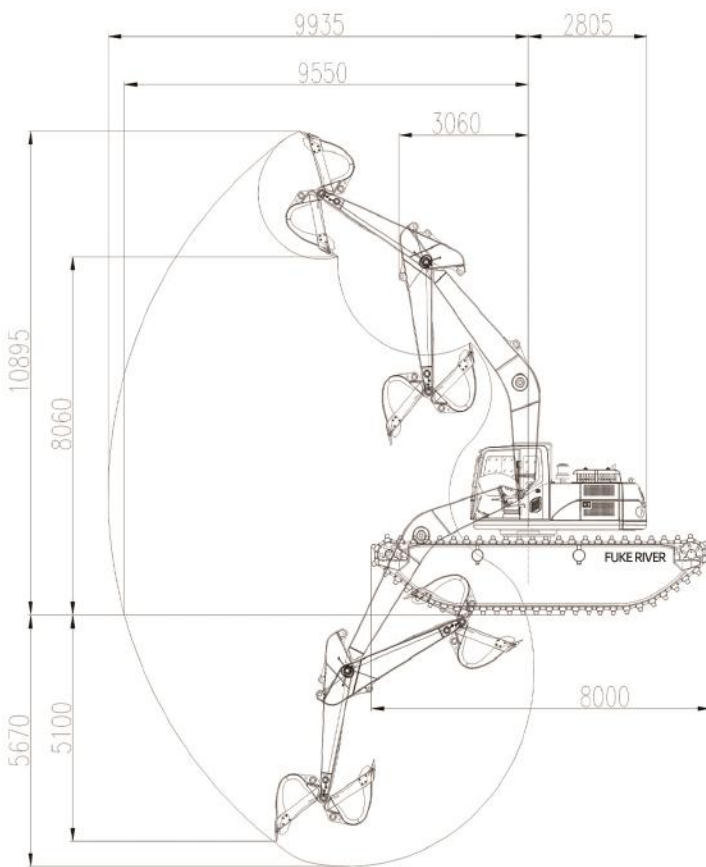
Maximum digging height	10895 mm
Maximum digging depth	5670 mm
Maximum digging radius	9935 mm
Maximum ground excavation radius	9550 mm
Maximum unloading height	8060 mm
Minimum radius of gyration	3060 mm
Maximum vertical digging depth	5100 mm

### Transport size

Overall length (transport state)	10060 mm
Overall width (transport state)	4600 mm
Overall height (transport state)	3860 mm

### Other parameters

Track width	2700 mm
Track length	8000 mm
Balance weight off the ground	1800 mm
Radius of tail gyration	2805 mm
Fuel tank capacity	325 L
Hydraulic oil tank capacity	200 L



**安徽福客重工设备有限公司**  
Anhui Fuke Heavy Industry Equipment Co., Ltd.

Contact us:

Phone/Whatsapp:+8613505697380

Email:fk002@fukebn.com/fuke7380@gmail.com

www.fukeonline.com

