

FK FUIKE 福客®

FK22-9

**Boutique Manufacturing
Conquer the word with Quality**



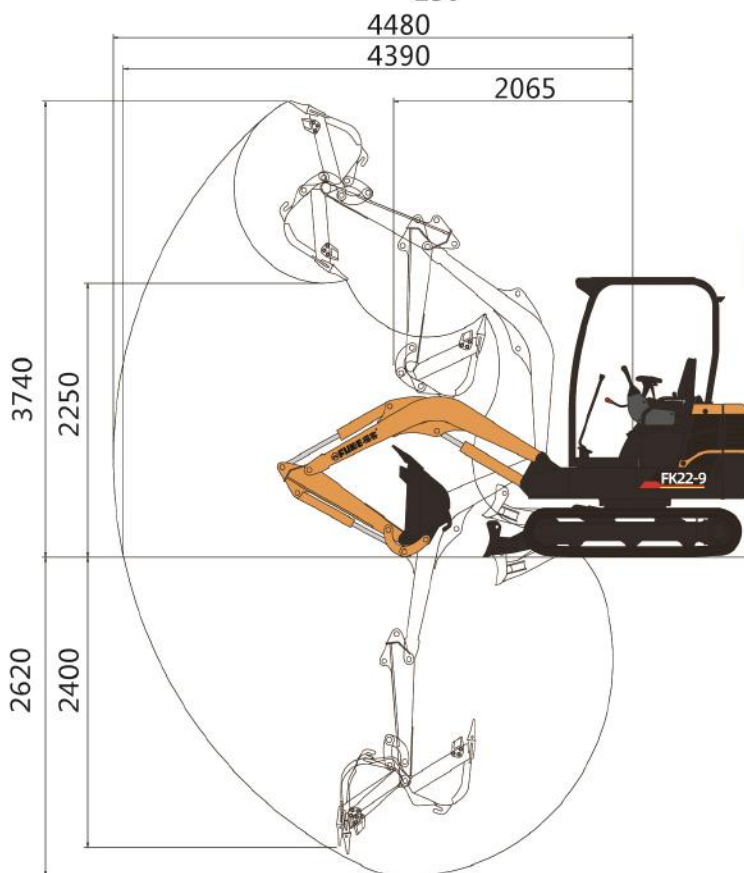
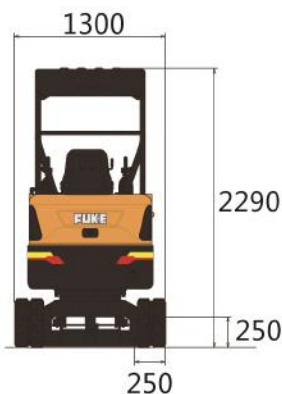
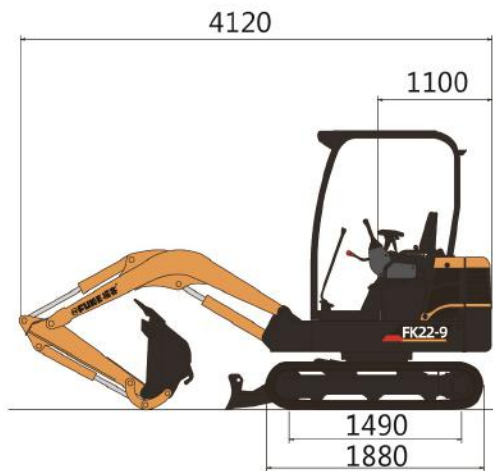
FK22-9

Total Weight: 2180 kg

Standard bucket capacity: 0.09 m³

Rated power: 20.5/2200 kW/rpm

- New generation product
- Exquisite
- Reliable structure
- Excellent performance
- Small and efficient
- Convenient maintenance
- Cost-effective



► Technical specifications

Basic parameters

Total Weight	2180 kg
Standard bucket capacity	0.09 m ³
Standard bucket width	555 mm

Performance parameter

Engine	Laidong
Engine rated power	20.5/2200 kW/rpm
Gradeability	30 °
Maximum digging force of stick	9.6 kN
Maximum digging force of bucket	14.9 kN
Driving speed	2.25 km/h
Main traction force	19.6 kN
Platform rotation speed	10-12.5 rpm

Job parameters

Maximum digging height	3740 mm
Maximum digging depth	2620 mm
Maximum digging radius	4480 mm
Maximum ground excavation radius	4390 mm
Maximum unloading height	2250 mm
Minimum radius of gyration	2065 mm
Maximum vertical digging depth	2400 mm

Transport size

Overall length (transport state)	4120 mm
Overall width (transport state)	1300 mm
Overall height (transport state)	2290 mm

Other parameters

Track width	1300 mm
Track length	1880 mm
Track shoe width	250 mm
Minimum ground clearance	250 mm
Balance weight off the ground	1100 mm
Radius of tail gyration	1490 mm
Fuel tank capacity	29 L
Hydraulic oil tank capacity	38 L

安徽福客重工设备有限公司
Anhui Fuke Heavy Industry Equipment Co., Ltd.

Contact us:

Phone/Whatsapp:+8613505697380

Email:fk002@fukebn.com/fuke7380@gmail.com

www.fukeonline.com

