

**FK FUKU 福客®**

**FK-920G**

进 取 不 止

**FUKE**

**Boutique Manufacturing  
Conquer The World With Quality**



**Basic Configuration**

**Bucket capacity**

1.8m<sup>3</sup>

**Operation weight**

4450kg

**Rated load**

1800kg

**Wheel base**

2300mm

\*We follows the principle of continuous improvement Product performance parameters will be partially changed due to technical improvements without prior notice.

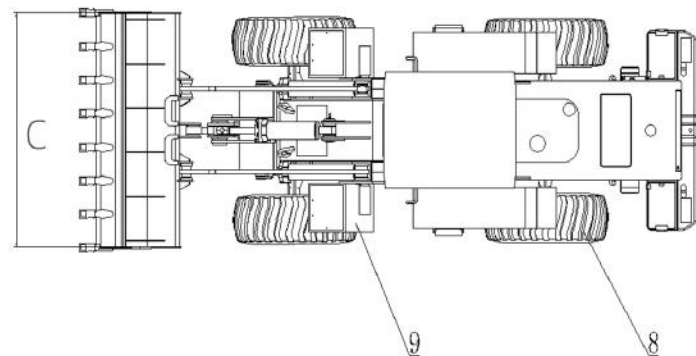
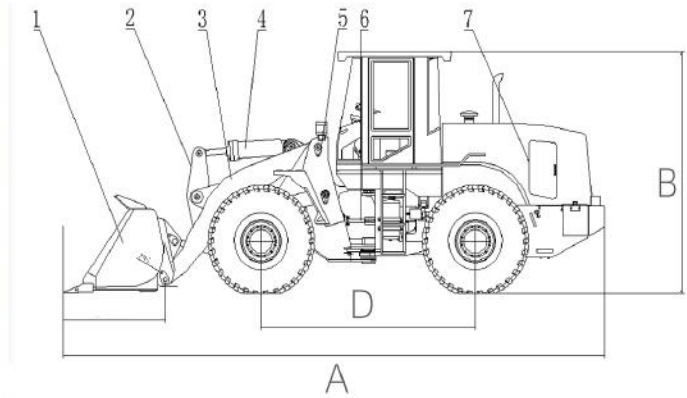
**Anhui Fuke Heavy Industry Equipment Co., Ltd.**

Web: [www.fukeonline.com](http://www.fukeonline.com)

## Basic Parameters

- Bucket capacity: 1.0m<sup>3</sup>
- Rated load: 1800kg
- Wheel base: 2300 mm (D)
- Wheel Tread: 1830 mm
- Min. ground clearance: 300mm
- Max. dumping height: 2850mm
- Dump distance: 880mm
- Total times: 9s
- Operation weight: 4450kg
- Engine model: Yuchai
- Rated power: 65kw
- Dimension (L\*W\*H):4900\*1830\*2750 mm (A\*B\*C)
- Tyre: 23.5/70-16
- Strong bearing
- Driving comfort
- Easy maintenance
- Reliable structure
- Excellent efficiency
- Booster
- Car air conditioner
- Protective Device
- GPS positioning
- On-board repair tools
- CD Player
- Fire extinguisher

## Loader Outline



## Accessories



\*We follows the principle of continuous improvement Product performance parameters will be partially changed due to technical improvements without prior notice.

Contact us:

Sun Xianfeng - Phone/Whatsapp:+8613505697380 |

Email:fk002@fukebn.com/fuke7380@gmail.com |

Mr.Zhang - Phone/Whatsapp:+8613291848418 | Email:zh@fukebn.com

Web:

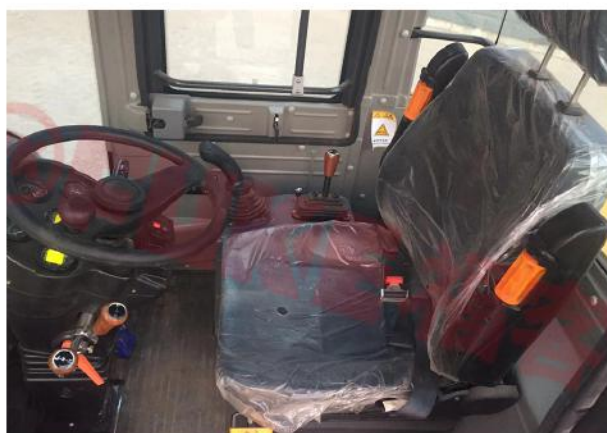
www.fukeonline.com



## Type 1 Mechanical Operating System



## Type 2 Pilot Operating System



## Type 3 Advanced Operating Systems

(Pilot and Image Operating Systems)



\*We follows the principle of continuous improvement Product performance parameters will be partially changed due to technical improvements without prior notice.

Contact us:

Sun Xianfeng - Phone/Whatsapp:+8613505697380 |

Email:fk002@fukebn.com/fuke7380@gmail.com |

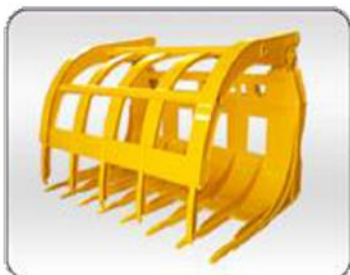
Mr.Zhang - Phone/Whatsapp:+8613291848418 | Email:zh@fukebn.com

Web:  
[www.fukeonline.com](http://www.fukeonline.com)



## Loader accessories ●

▼ Grass cutter



▼ Clamping machine



▼ Sliding fork



▼ Flat fork



▼ Coal scuttle



▼ Side dump



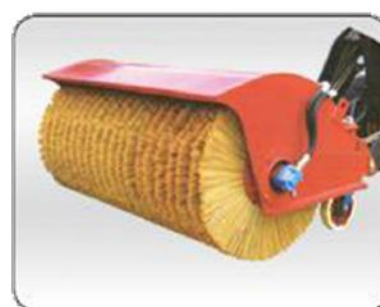
▼ Rock bucket



▼ Breaker



▼ Snowplow



▼ Snow shovel



▼ Quick change tooling



\*We follow the principle of continuous improvement. Product performance parameters will be partially changed due to technical improvements without prior notice.

Contact us:

Sun Xianfeng - Phone/Whatsapp: +8613505697380 |

Email: fk002@fukebn.com / fuke7380@gmail.com |

Mr. Zhang - Phone/Whatsapp: +8613291848418 | Email: zh@fukebn.com

Web:

[www.fukeonline.com](http://www.fukeonline.com)

