

**FK** **FUKE** 福客®

**FK-206T**

**FUKE**

Boutique Manufacturing,

Conquer The World with Quality



## *Basic Information*

Operating weight

**6000kg**

Rolling width

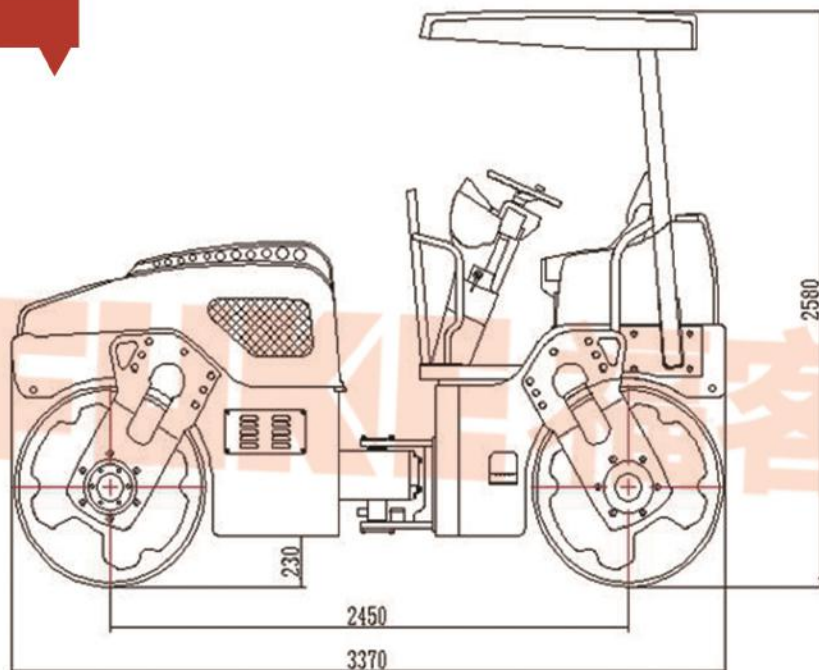
**1520mm**

Engine power

**62KW**

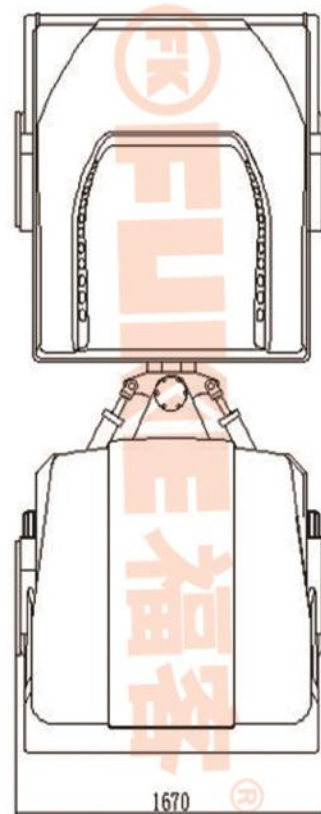
Activating force

**61KN**



## Technical Specification

Operating Weight	6000 kg
Rolling width	1520 mm
Vibration frequency	51 HZ
Theoretical amplitude of vibration	0.46 mm
Activating force	61 kN
Engine model	Yuchai
Rated rotation speed	2000 r/min
Rated power	62 kw
Overall dimensions L*W*H	3370×1670×2580 mm



- ★ Drive system adopts the international brand imported hydraulic components.
- ★ Hydraulic double drum drive, two-speed stepless change gear. Start-oscillation by electronic control. Hydraulic steering and easy to operation
- ★ Articulated frame, flexible steering, streamlined design and nice appearance. The supporting design of front frame fork used to compact the road shoulders more closely
- ★ Electric control pressurized sprinkler system, anticorrosive sprinkler tank and system
- ★ The fore cover can be turned up in a big angel for easily maintenance.
- ★ Random trailer configurations are available to facilitate construction transfer and save energy

\*We follows the principle of continuous improvement Product performance parameters will be partially changed due to technical improvements without prior notice.



Contact us:

Phone/Whatsapp:+8613505697380

Email:fk002@fukebn.com/fuke7380@gmail.com